



www.pumps.com.tw

# DSP series

## Submersible Sewage Pump Heavy Duty Industrial Application

Liquid temperature : 0 °C to 40 °C / +32 °F to +104 °F

HP range : 1 to 15 HP / 0.75 kW to 11 kW

pH : 6 to 8

Protection class : IP68

Maximum immersion depth : 8M

Solid pass : 30~65mm



Industrial sewage treatment station.



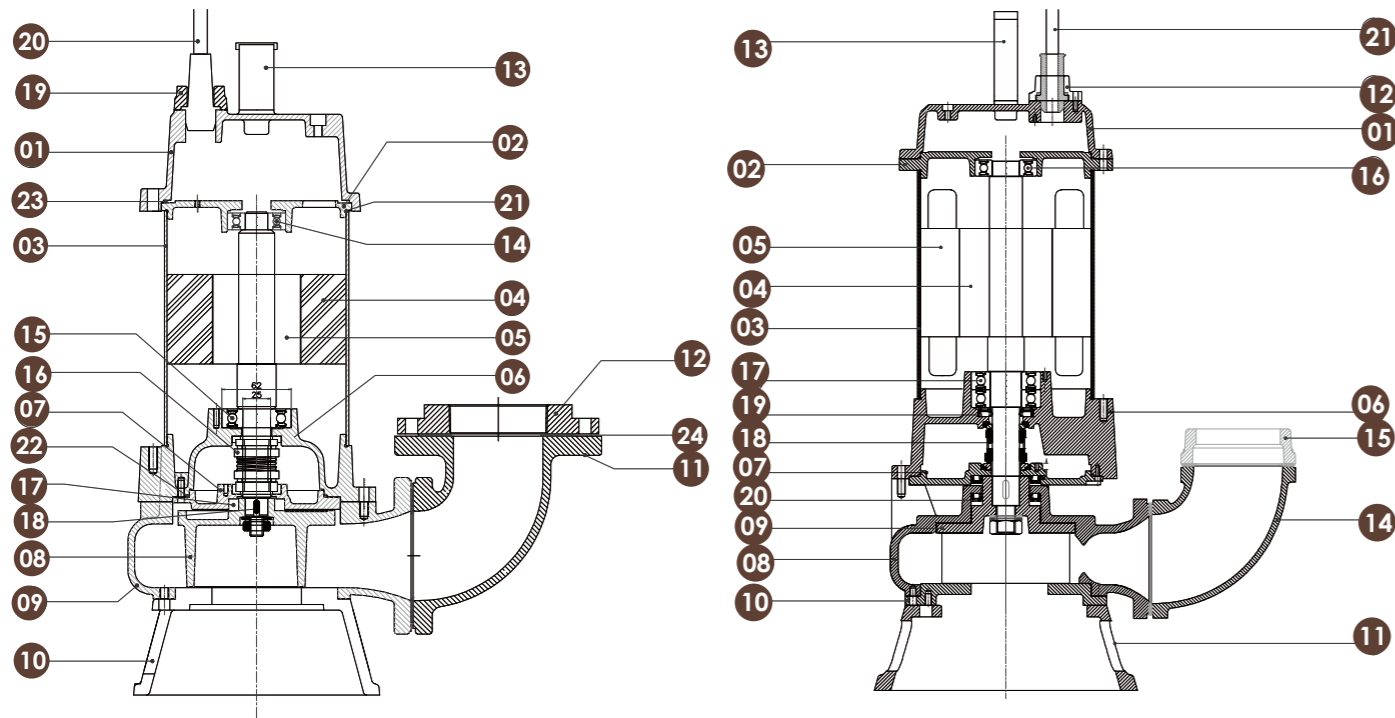
Domestic sewage treatment



Water or sewage sump pit.  
Tunnel waste water drainage.

# HUNG PUMP GROUP

## Sewage Pumps

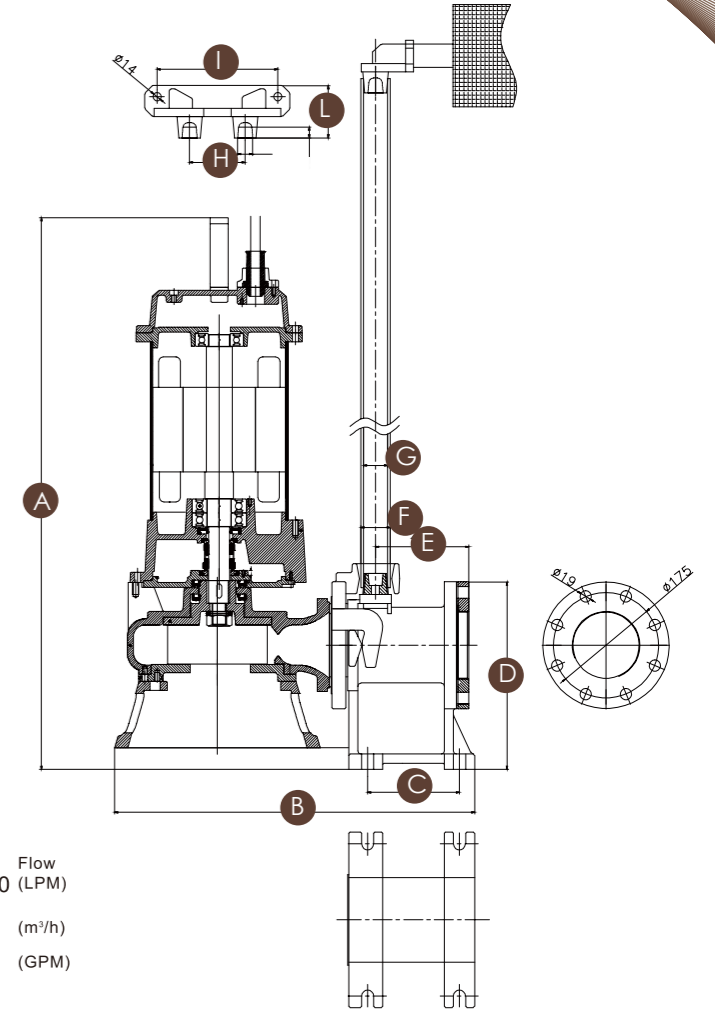
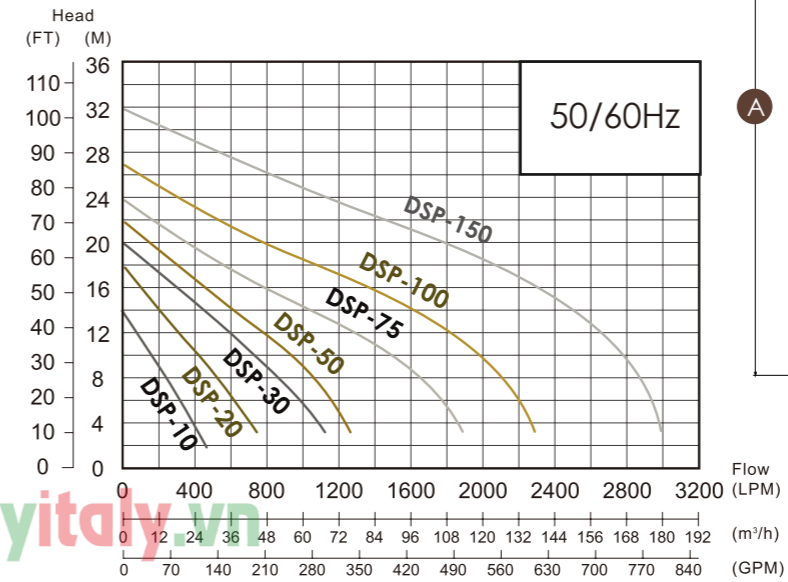


### Construction for DSP 20 ~ 50

No.	Description	Material
1	Top Cover	FC200
2	Bearing Cover	FC200
3	Motor Casing	SUS304
4	Coil	C60
5	Shaft	S25C+SUS410
6	Seal Plate	FC200
7	Oil Seal Cover	FC200
8	Impeller	FCD45
9	Pump Casing	FC200
10	Strainer	FC200
11	Elbow	FC200
12	Flange	FC200
13	Handle	
14	Bearing DSP-20	6203LLUCM/L542(PP cover)
14	Bearing DSP-30	6304LLUCM/L542(PP cover)
14	Bearing DSP-50	6304LLUCM/L542(PP cover)
15	Bearing DSP-20	6304LLUCM/L542(PP cover)
15	Bearing DSP-30	6305LLUCM/L542(PP cover)
15	Bearing DSP-50	6305LLUCM/L542(PP cover)
16	Mechanical Seal	CA/CE-SIC/SIC+NBR
17	Oil Seal	NBR
18	Key	SC
19	Power Cable Cover	FC200
20	Power Cable	H07RNF*2.5*4C
21	O-Ring	NBR
22	O-Ring	NBR
23	Packing	NBR
24	Packing	NBR

### Construction for DSP 75 ~ 150

No.	Description	Material
1	Top Cover	FC200
2	Bearing Cover	FC200
3	Motor Casing	SUS304
4	Shaft	S25C+SUS410
5	Coil	C60
6	Seal Plate	FC200
7	Oil Seal Cover	FC200
8	Pump Casing	FC200
9	Impeller	FCD45
10	Diffuser	FCD45
11	Strainer	FC200
12	Power Cable Cover	FC200
13	Handle	SC
14	Elbow	FC200
15	Flange	FC200
16	Bearing DSP-75	6306LLUCM/L542(PP cover)
16	Bearing DSP-100	6306LLUCM/L542(PP cover)
16	Bearing DSP-150	6307VVCMS7S5(PP cover)
17	Bearing DSP-75	6307VVCMS7S5(PP cover)
17	Bearing DSP-100	6307VVCMS7S5(PP cover)
17	Bearing DSP-150	6308LLUCM/L542(PP cover)
18	Mechanical Seal	CA/CE-SIC/SIC+NBR
19	Oil Seal	NBR
20	Oil seal	NBR
21	Power Cable	NBR



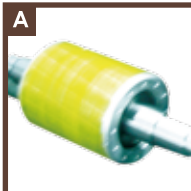
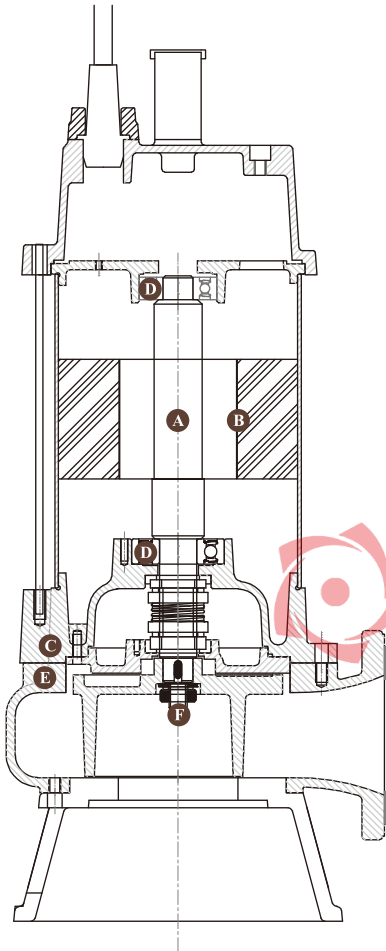
### Dimension

Inch	Model	Dimension											
		A	B	C	D	E	F	G	H	I	J	K	K
2"	DSP-10	496	546	152	275	133	32	25.4	125	70	15	17.5	65
3"/4"	DSP-20	673	631	230	366	202	32	25.4	125	70	15	17.5	65
	DSP-30	693	640	230	366	202	32	25.4	125	70	15	17.5	65
4"	DSP-50	740	641	230	366	202	32	25.4	125	70	15	17.5	65
	DSP-75	825	558	152	310	154	48	40	92	200	25	15.5	87
6"	DSP-100	870	561	152	310	154	48	40	92	200	25	15.5	87
	DSP-150	912	596	152	310	154	48	40	92	200	25	15.5	87

### Specification

Model No.	Output		Outlet		Solid Pass Dia(mm)	Max Flow(LPM)	LPM Flow @ Head					Max Head(M)	Dimension L x W x H(mm)	Weight Kg
	HP	kW	mm	inch			3M	6M	9M	12M	15M			
DSP-10	1	0.75	50	2"	30	400	370	270	180	60	-	14	250 x 183 x 487	31
DSP-20	2	1.5	80/100	3" / 4"	40	800	750	620	480	310	150	18	400 x 240 x 545	37
DSP-30	3	2.2	80/100	3" / 4"	40	1200	1130	990	800	590	380	20	425 x 220 x 615	55
DSP-50	5	3.7	80/100	3" / 4"	45	1300	1270	1170	1000	790	530	22	425 x 220 x 615	57
DSP-75	7.5	5.5	100/150	4" / 6"	50	1900	1840	1500	900	360	-	24	485 x 300 x 735	99
DSP-100	10	7.5	100/150	4" / 6"	65	2300	2260	2000	1500	800	200	27	485 x 300 x 840	109
DSP-150	15	11	100/150	4" / 6"	65	3000	2960	2800	2400	1800	980	32	585 x 340 x 875	149

Remarks: Stainless steel impeller --- Optional.  
 Remarks: Above 5HP can equip with star delta starter --- Optional.



**A**  
Shaft (SUS410)



**B**  
Enamelled wire is H class & can handle up to 180°C



**C**  
Double Mechanical Seal ( SIC / SIC + CA / CE + NBR ) = Longevity



**D**  
The bearing has plastic dust proof cover, it can add to its longevity.



**E**  
Separated Chamber : To reduce the water impact to Mechanical Seal. ( For 7.5HP ~ over)



**F**  
The concavity design for the impeller inserts into Oil Seal, this prevents sand from damaging the oil chamber.

The screw for the impeller is inserted in & it can reduce the screw abrasion.

DSP Impeller



Optional Cutter Impeller for Cutter Pump Application.



7.5 HP  
10 HP  
15 HP



2 HP  
3 HP  
5 HP



Slide rail kits are available for easy removal and installation.