



www.pumps.com.tw

TAS series

Non-Clogging Vortex Impeller Multi-Purpose Dirty Water Pump Drain Water to the Lowest Level

Liquid temperature : 0 °C to 40 °C / +32 °F to +104 °F

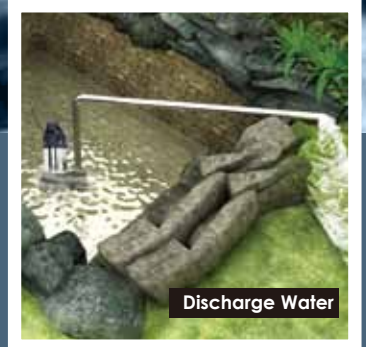
HP range : 1/3 to 1 HP / 250 W to 750 W

pH : 6 to 8

Protection class : IP68

Maximum immersion depth : 8M

Solid pass : 14mm



Discharge Water



Water System



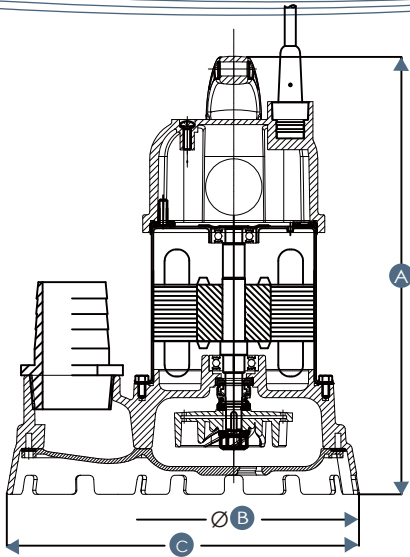
Drains Flood



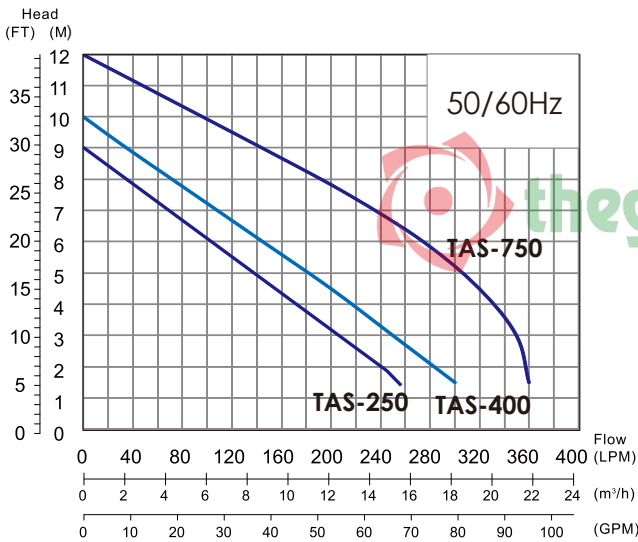
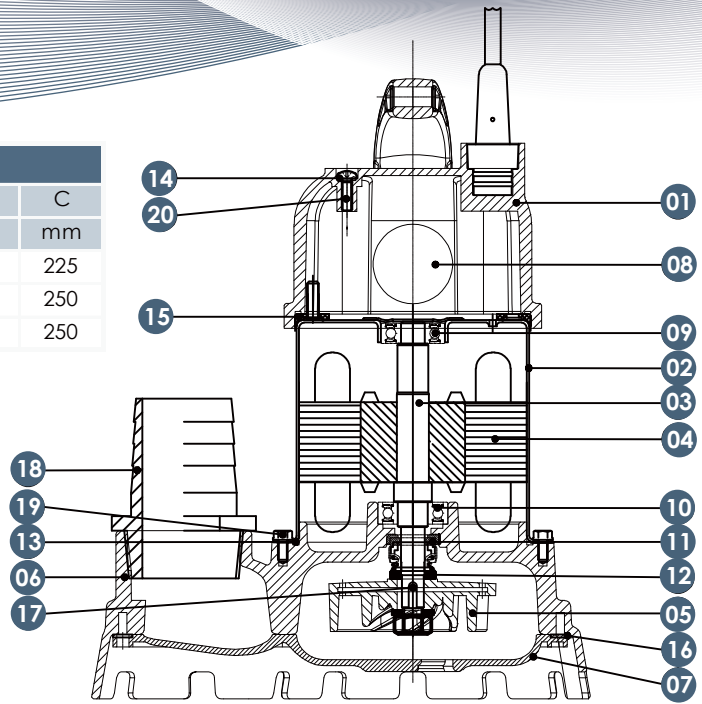
Transfer Gray Water

HUNG PUMP GROUP

Sump Pumps



Dimension			
Model	A	B	C
	mm	mm	mm
TAS-250	282	145	225
TAS-400	310	162	250
TAS-750	325	162	250



Construction					
No	Description	Material	No	Description	Material
1	Top Cover	NYLON+GF	11	Mech. Seal	CA/CE
2	Motor Housing	SUS304	12	Seal Washer	SUS304
3	Shaft	SUS410	13	O-ring	NBR
4	Stator / Coil	C60	14	O-ring	NBR
5	Impeller	SUS430+PU	15	Packing	NBR
6	Pump Casing	FC200	16	Packing	NBR
7	Pump Casing Base	PP+GF	17	Key	SUS304
8	Capacitor		18	Discharge adaptor	PP+GF
9	Upper Bearing		19	Screw	SUS304
10	Lower Bearing		20	Screw	SUS304



Specification															
Model No.	Output		Outlet		Solid Pass Dia (mm)	Max Flow (LPM)	LPM Flow @ Head					Max Head(M)	Dimension		Weight Kg
	HP	W	mm	inch			3M	4.5M	6M	7.5M	9M		L x W x H(mm)		
TAS-250	1/3	250	40	1.5"	14	250	215	160	105	45	-	9	225 x 145 x 282	8	
TAS-400	1/2	400	50	2"		300	250	200	145	90	35	10	250 x 162 x 300	9	
TAS-750	1	750	50	2"		360	350	320	275	215	145	12	250 x 165 x 325	10	