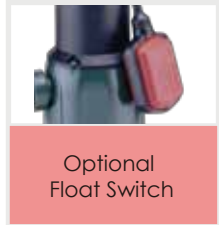


TPS&TPV Series

Excellent Compact Pumps Sea Water Applicable

Liquid temperature: 0 °C to 40 °C / +32 °F to +104 °F
HP range: 1/8 to 1/4 HP / 80 W to 200 W
pH: 6 to 8
Protection class: IP68
Maximum immersion depth: 6M
Solid pass: 19mm





Optional Float Switch



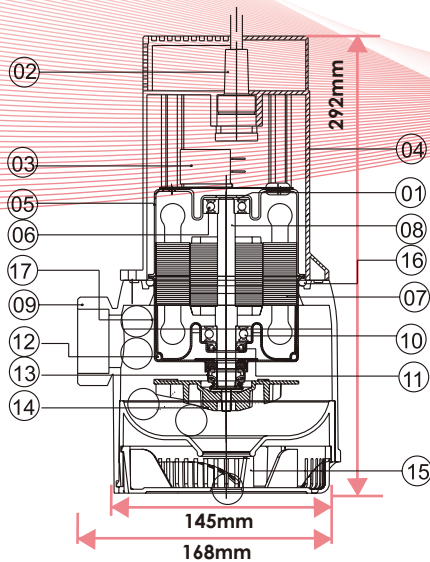
TPV series Without Strainer



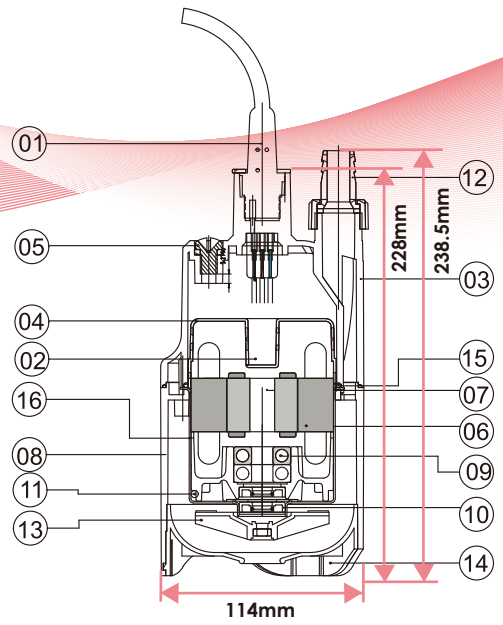
Impeller TPV/TPS-200S



Impeller TPS-50S



TPV/TPS-200S



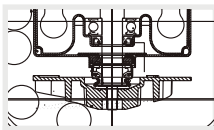
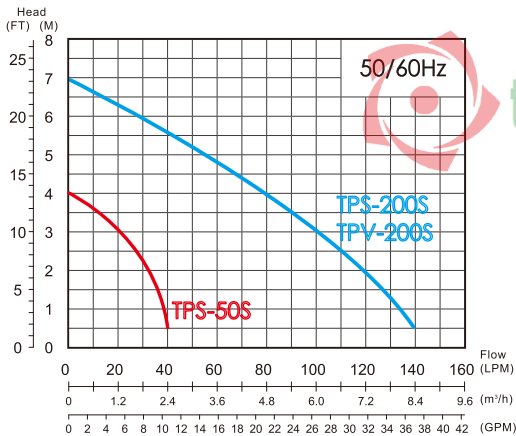
TPS-50S

Construction (TPV/TPS 200S)

No.	Description	Material
1	Wave Spring	Steel
2	Cord	H05RNF
3	Capacitor	PP
4	Motor Housing	PP+GF
5	Upper Bearing Cover	SUS304
6	Bearing	CMN5K
7	Stator Laminated	S. Steel
8	Shaft	SUS410
9	Pump & Dischagre	PP+GF
10	Lower Bearing	CNM 5K
11	Oil Seal	NBR
12	O-ring	NBR
13	Mech. Seal	CA/CE
14	Impeller	PP+GF
15	Stainer	PP+GF
16	O-ring	EPDM
17	Lower Bearing Cover	NBR

Construction (TPS-50S)

No.	Description	Material
1	Cord	H05RNF
2	Capacitor	PP
3	Motor Housing	PP+GF
4	Upper Bearing Cover	SUS304
5	Plug	SUS304
6	Stator Laminated	S. Steel
7	Shaft	SUS410
8	Pump Casing	PP+GF
9	Double Oil Seal	CMN5K
10	Lower Bearing	CNM 5K
11	Oil Seal (TPV-200S)	NBR/VITON
12	Discharge NH 3/4"	PP+GF
13	Impeller	PP+GF
14	Stainer	PP+GF
15	O-ring	EPDM
16	Lower Motor Cover	SUS304
17	Bearing Cover	ADC 12



Low axial load & zero radial load



Hermetically Sealed Cable entry



Non rust material



Dischagre
1. TPS-50S (Left)
2. TPV-200S/TPS200S(Right)



Oil to cool down the Mech seal

Specification

Model No.	Power		Outlet		Solid Pass (mm)	Max Flow(LPM)	LPM Flow @ Head					Max Head(M)	Dimension L x W x H(mm)	Weight Kg
	HP	W	mm	inch			1M	2M	3M	4M	5M			
TPS-50S	1/10	80	20	3/4"	5	40	38	33	20	-	-	4	114 x 114 x 265	2.5
TPS-200S	1/4	200	32	1 1/4"	5	140	135	120	100	80	55	7	168 x 146 x 288	3.6
TPV-200S	1/4	200	32	1 1/4"	19	140	135	120	100	80	55	7	168 x 146 x 288	3.6