

"SA"



 thegioimayitay.vn



Sealand Electric Pumps South Africa

44 Agaat Str, Nirvana Industrial, Polokwane, Limpopo Province, South Africa, 0699



+27 87 150 2772



+27 86 647 3047



info@sealand.co.za



www.sealand.co.za

SUBMERSIBLE DRAINING ELECTRIC PUMPS

The submersible draining electric pump with open impeller series SA have been designed for pumping clear or slightly dirty liquids, non-explosive or chemically aggressive for the pump's materials, either containing suspended solids max Ø 10 mm, without abrasives parts. Temperatures not higher 35 °C (CEI EN 60335-2-41).

TECHNICAL FEATURES

- Motor body and cover with handle: cast iron G20 with anti-corrosive coating
- Pump body: cast iron G20 with anti-corrosive coating
- Impeller: cast iron G20 with anti-corrosive coating
- Base filter: stainless steel Aisi 304
- Pump shaft: stainless steel Aisi 304
- Pump's side seal: mechanical carbon-ceramics
- Motor's side seal: lip ring in NBR
- Feeding cable: 10 m H07RN-F

MOTOR

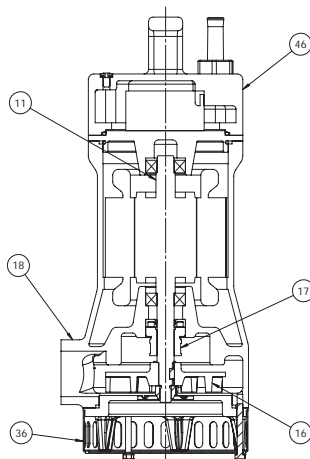
- Two poles induction rewindable motor with protection IP 68, class F insulation.
- Single-phase feeding with incorporated motor protector and capacitor permanently connected.
- Three-phase feeding with compulsory protection to be provided by the user.
- Continuous duty if completely submerged

ON REQUEST:

- Single-phase automatic version with float switch (AUT).
- Brass hose connector with curve 2 nipples.



SPARE PARTS LIST



- 11 Pump shaft + rotor
- 16 Impeller
- 17 Mechanical seal
- 18 Pump body
- 36 Filter base
- 46 Cover with handle

