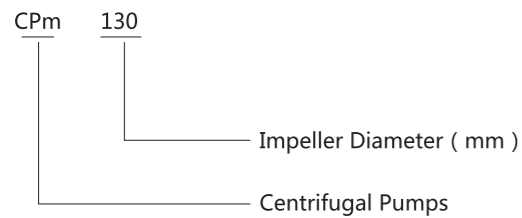




CPm

Model Instruction



Applications Fields

- Suitable for transferring water without abrasive particles or other liquid whose properties are similar to water.
- Widely used in vegetable greenhouse water supply, breeding industry water supply and drainage, water tower water supply, pipeline pressurization, various corollary equipment, etc.

Performance Range

- Max. Flow: 8.4m³/h
- Max. Head: 59m

Application Limits

- Suction head up to 7m
- Liquid temperature up to +40°C
- Ambient temperature up to +40°C
- Max. Working pressure: 6bar
- Voltage fluctuation should not exceed 10% of rated value.
- pH: 6.5 to 8.5

Certificate



Features

- Single suction centrifugal pump, with high efficiency
- Copper impeller, stable performance
- High head, small flow rate

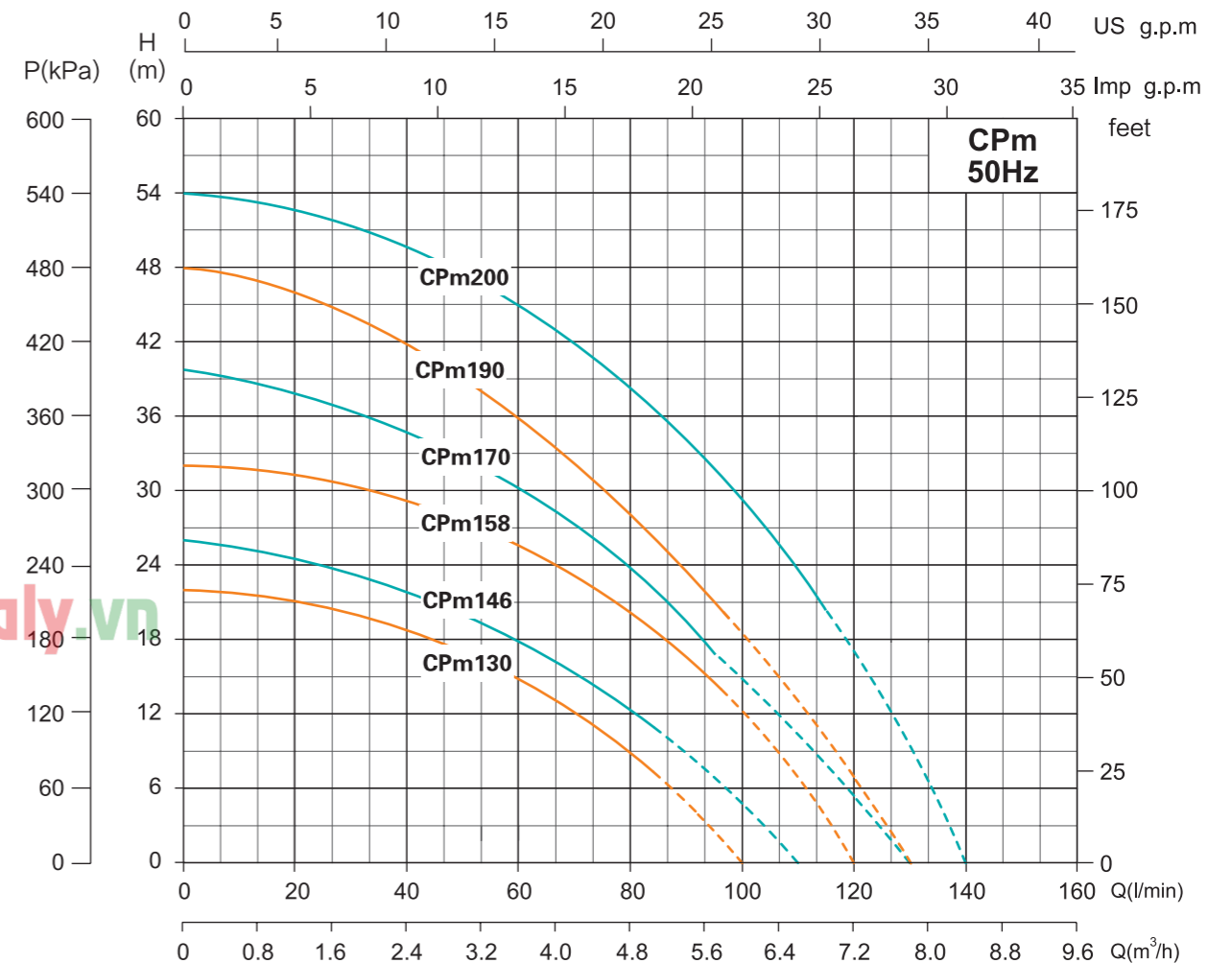
Motor

- Single-Phase 220V/50Hz
- Mechanical seal: Ceramic/Graphite/NBR rubber
- Motor: 2 pole asynchronous motor, copper wires, built-in thermal protector, fully closed fan cooling, continuous running
- Protection: IP44
- Insulation: Class B

Optional Available on Request

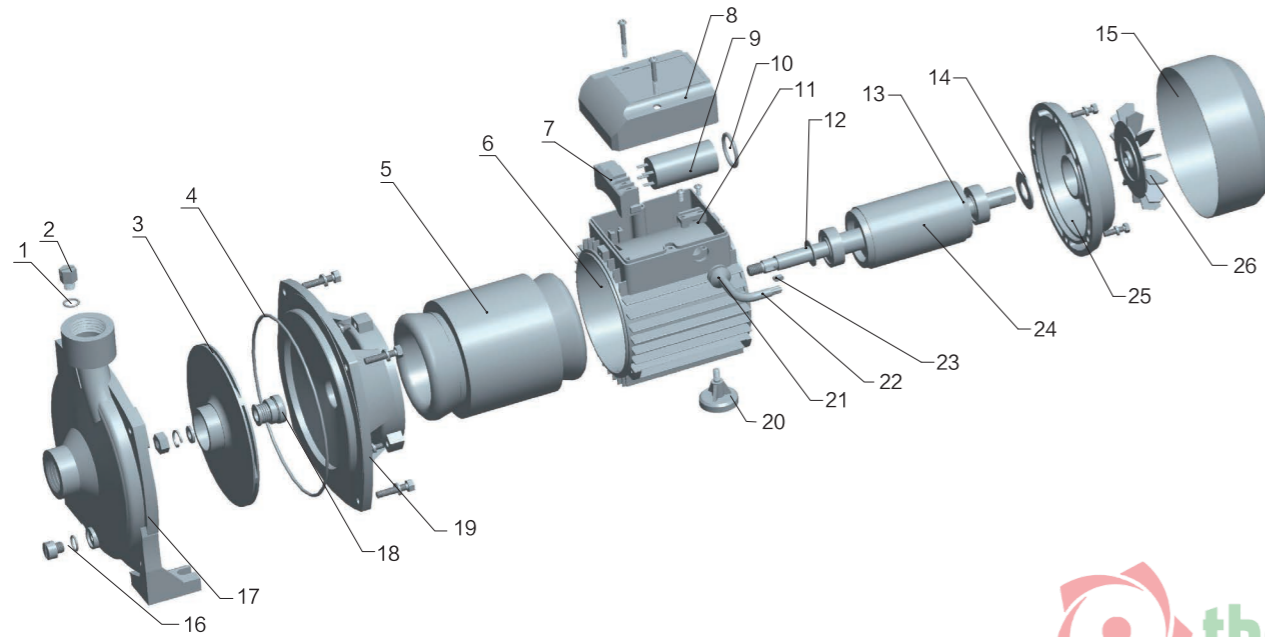
- (* Standard configuration on Page 19)
- 304 stainless steel welding shaft
- Electrophoretic pump body and connections
- NSK bearing
- Motor whose insulation class is F
- Other voltage or frequency is 60Hz

Performance Curve



Model	Power		Max. Flow (m ³ /h)	Max. Head (m)	Head Range (m)	Max. Suction (m)
	kW	HP				
Single-Phase						
CPm130	0.37	0.5	6	22	8~22	7
CPm146	0.55	0.75	6.6	26	11~26	7
CPm158	0.75	1	7.2	32	14~32	7
CPm170	1.1	1.5	7.8	40	17~40	7
CPm190	1.5	2	7.8	48	20~48	7
CPm200	2.2	3	8.4	54	20~54	7

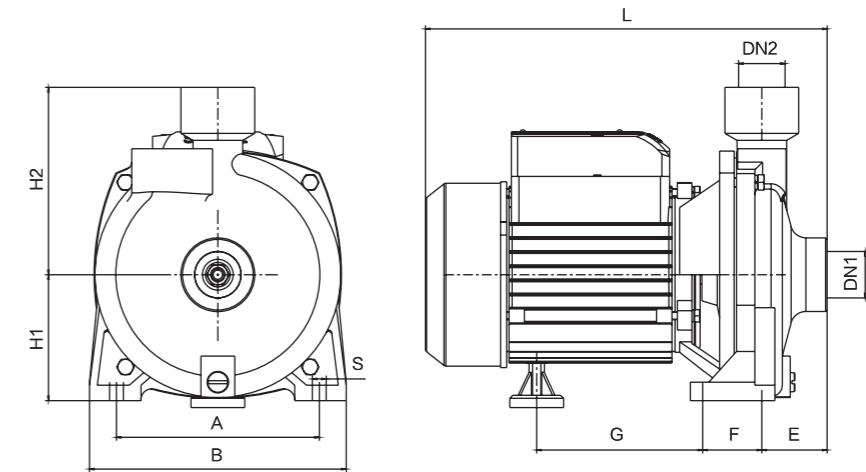
Components & Materials



No.	Component	No.	Component	No.	Component
1	O-ring	10	O-ring	19	Coupling
2	Air Faucet	11	Cable Control Cover	20	Foot
3	Impeller	12	Waterproof Ring	21	Cable Sleeve
4	O-ring	13	Bearing	22	Cable
5	Stator	14	Wave Spring	23	Key
6	Motor Case	15	Fan Cover	24	Rotor
7	Terminal Board	16	Water Faucet	25	End Cover
8	Cable Block Cover	17	Pump Body	26	Fan
9	Capacitor	18	Mechanical Seal		

NO.	Model	CPm130	CPm146	CPm158	CPm170	CPm190	CPm200
9	Capacitor	12 μF/450V	15 μF/450V	20 μF/450V	40μF/450V	45 μF/450V	45 μF/450Vx2
13	End-Cover Bearing	6201-2RZ	6202-2RZ	6202-2RZ	6204-2RZ	6204-2RZ	6205-2RZ
	Coupling Bearing	6201-2RZ	6202-2RZ	6202-2RZ	6204-2RZ	6204-2RZ	6304-2RZ
	Motor Shaft	Steel 45#					
18	Mechanical Seal	301-12/21 B:A (P) Stationary seal ring ø26	104-14/25 B:A (P) Stationary seal ring ø26	108-17/23.5 B:A (P) Stationary seal ring ø30			
		A:Graphite B: Ceramic P:NBR					
6	Motor Case	Aluminum					
19	Coupling	Cast Iron					
17	Pump Body	Cast Iron					
3	Impeller	Brass					

Dimensions & Weight



Model	DN1	DN2	Dim.(mm)								N.W. (kg)	
			(Inch)		A	B	E	F	G	L		S
CPm130	1	1	132	167	42.5	38.5	108	262	9	82	122	8.5
CPm146	1	1	144	175	47	38	132	296	10	94.5	130.5	11.5
CPm158	1	1	158	192	45	42	134	300	10	100	144	13.5
CPm170	1.25	1	170	210	46	45.5	164.5	346	11	108	153	20
CPm190	1	1	185	230	36	37	171	351	10	116	177	23
CPm200	1	1	185	230	54	37	197	401	10	116	177	30.5

Packing Size & Weight

Model	Dim.(L×W×H) mm	G.W. (kg)	20'Loading Qty. (pcs)
Single-Phase			
CPm130	280×185×230	9	2610
CPm146	340×210×265	12	1722
CPm158	340×210×265	14	1722
CPm170	390×240×290	21	1168
CPm190	390×260×320	24.5	981
CPm200	455×280×340	33.5	742

