

# KTZ422 (4-inch) KTZ622 (6-inch)

**50 Hz  
MODEL**

**The long-awaited 22 kW models are now available for the flagship KTZ-series!!**

**DEBUT!!**



**CONSTRUCTION**

**MINING**

**KTZ422**

**KTZ622**

Design Registration Pending\*

\* Tsurumi has applied for design registration in major countries.

Two 22 kW models have been added to Tsurumi's flagship KTZ-series of submersible pumps which support a product lineup of models ranging from 1.5 to 15 kW.

The new models are available in two types: KTZ422 (4-inch) and KTZ622 (6-inch). These pumps provide a maximum head of 71 m and maximum capacity of 4 m<sup>3</sup>/min. Built with a cast iron body and high-chromium cast iron impeller, these pumps are advantageous in terms of durability and wear resistance. As the discharge design of these pumps, a top discharge side flow structure is used, which enables the slim body to be installed in a confined space and also ensures extended operation at a low water level.

Owing to these features, the KTZ-series qualify as heavy-duty, highly-reliable and continuous duty pumps that are suitable for harsh work environments such as mining, quarrying, construction and tunnel work sites.

Also, the Tsurumi's original multi-directional hose coupling structure enables flexible on-site setup for either vertical or inclined discharge with just a wrench.



# Features

## 1 Multi-directional Hose Coupling

Can be configured for inclined or vertical discharge, allowing for smoother installation.

## 2 Anti-wicking Cable Entry

Prevents water incursion due to capillary action should the cable sheath be damaged or the end of cable submerged. Also prevents moist air from infiltrating the motor housing and condensation from forming inside the housing due to temperature differences between the housing and outside air.

## 3 Dual Inside Mechanical Seals with Silicon Carbide Face

Isolated in the oil chamber where a clean, non-corrosive and abrasion-free lubricating environment is maintained. Compared with the water-cooled outside mechanical seal, it reduces the risk of failure caused by dry-heating and adhering matter. The silicon carbide provides 5 times higher corrosion, wear and heat resistance than the tungsten carbide.

## 4 Oil Lifter

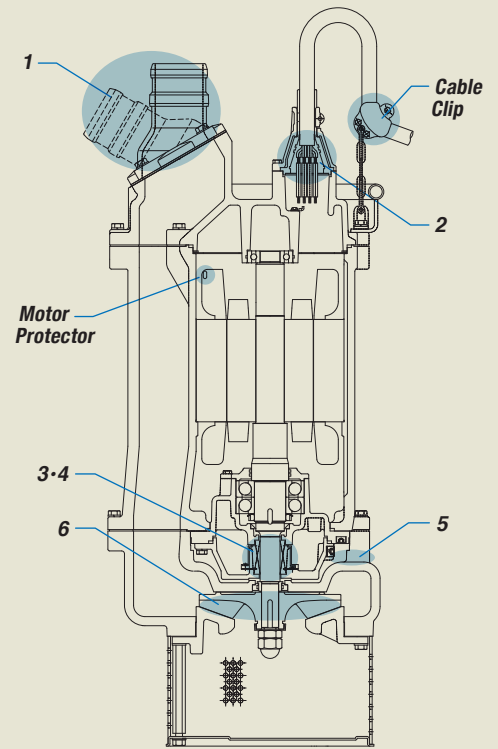
Provides lubrication and cooling of the seal faces down to 1/3 of normal oil level, thus maintaining a stable shaft sealing effect and prolonging seal life longer. The Oil Lifter is Tsurumi original design.

## 5 Seal Pressure Relief Ports

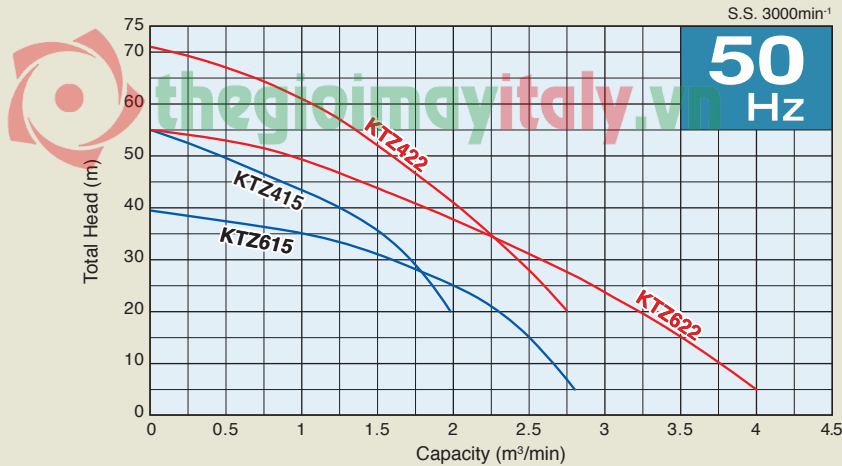
Protect the mechanical seal from pump pressure. They also protect the seal face by discharging wear particles.

## 6 High-chromium Cast Iron Semi-open Impeller

Resists wear caused by abrasive particles and enables the pump to maintain its original performance for an extended period of time.



# Performance Curves



# Model Selection

Discharge Bore mm	Model	Motor Output kW	Phase	Starting Method	Solids Passage mm	Dimensions L x W x H mm	Dry Weight* <sup>2</sup> kg	Cable Length m
100	KTZ415	15	Three	D.O.L.* <sup>1</sup>	12	428 x 350 x 934	146	8
150	KTZ615	15	Three	D.O.L.* <sup>1</sup>	20	457 x 350 x 954	147	8
100	KTZ422	22	Three	D.O.L.* <sup>1</sup>	8.5	528 x 413 x 1200	295	10
150	KTZ622	22	Three	D.O.L.* <sup>1</sup>	12	558 x 413 x 1220	296	10

\*<sup>1</sup> Star-Delta available upon request

\*<sup>2</sup> Weights excluding cable

Product images and specifications may differ from actual products due to improvements. The OO series and model OO are indicated with our series/model codes in this catalog.

**TSURUMI**  
**MANUFACTURING CO., LTD.**  
 www.tsurumi-global.com



Your Dealer